



MVP 440 Digital Meter

The MVP 440 Meter accepts data from Sonicu digital sensors, analog sensors (4-20 mA), dry-contact switches, and Modbus to connect equipment, machines, facilities, and systems to the SoniCloud platform, where users access and manage all locations from one convenient dashboard 24/7.

MVP 440 OVERVIEW

The MVP 440 Meter can receive data from up to four independent sensors simultaneously, for superior flexibility and cost-effectiveness. It can be used with any combination of Sonicu digital sensors, and/or commercially available analog (4-20mA) sensors.

SMART IoT: The onboard RS485 input allows the MVP 440 to connect unmonitored equipment, machines, facilities, systems, and many other asset types to the SoniCloud platform. SMART IoT streams data about machine states, conditions, and other variables to the SoniCloud Platform 24/7 for easy user access. SMART API connects SoniCloud data streams to BAS systems. Contact Sonicu for more information about SMART IoT.

SoniCloud Dashboard: Using their phone, tablet, or PC, users can view, manage, and respond to all monitored locations from the dashboard in real time. They can view alarm histories, analyze historical data to identify trends, create compliance reports, and more using Sonicu's SMART Tools. SMART Alerts protect equipment and assets by sending escalating alerts to users by phone, text, or email if power outage, temperature excursion, or other problem occurs.

OUR ADVANTAGES

- Pre-configured monitoring kits are easy to deploy and completely scalable as needs require
- Sensor-to-cloud data transmission (Wi-Fi, 4G/5G LTE, and Ethernet) require no additional hardware
- Sensor-to-mesh-to-cloud data transmission (Ethernet, 4G/5G LTE, primary or failover) use meshing sensor technology and Sonicu MVP Gateways (see link below) to create a reliable, self-healing sensor network.
- Data Sync technology empowers lossless monitoring as on-board memory stores all data during network interruptions, then automatically uploads data to SoniCloud when a connection is restored.
- Standard 12V adapter powers the SMART IoT meter or recharges the internal Li-ion battery used for primary power or backup power supply if power outages occur.

LINKS



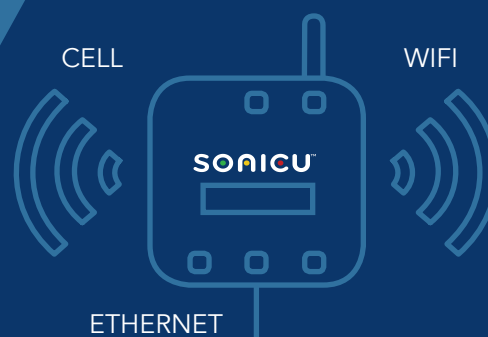
[Sonicu Digital Sensors](#)



[Sonicu MVP Gateways](#)

APPLICATIONS & INDUSTRIES

MVP 440 Digital Meters monitor and measure virtually all applications from power and fluid levels to any number of key performance indicators (KPIs) in Industrial/Manufacturing, Building automation, Healthcare, Research/Laboratories and Food Service.



Sonicu provides access, alarming and archiving 24/7/365 via any internet-enabled device.

Features

MVP 440 Meter

Meter with four digital input ports and RS485. Use with Sonicu digital sensors, 4-20mA analog sensors, modbus, or dry-contact. Includes rechargeable battery, micro SD memory for onboard data backup. Multiple local display screen options available.

Specifications

Sensor Ports

Four ports, each can be configured as one of the following:

- Sonicu digital probe
- Contact closure (dry contact)
- 4 to 20 mA

Serial Ports

1 x RS485, half-duplex, 3-wire (+data, - data, ground); can be configured as one of the following:

- Modbus master
- Modbus slave
- Custom protocol (contact us)

Radio Protocols

One of the following:

- 4G Cellular
- Wi-Fi 802.11 b/g/n
- 900 MHz (meshing)

Power Modes

2600 mAh Li-ion 3.7v rechargeable battery
12v DC wall adapter

Enterprise Security

Wi-Fi: WPA2;
Cellular: standard encryption to tower, virtual private network to cloud, completely secure

Operating Temp

-10 C to +40 C

Humidity

10 to 95% RH, non-condensing

Construction

ABS plastic housing

Dimensions

3.071" x 5.254" x 1.450"

Cables

Flat 6-ft, 15-ft and 25-ft

Mounting

Adhesive or screw mount

Warranty

Warranted for duration of Data Service Agreement

Part numbers

Description

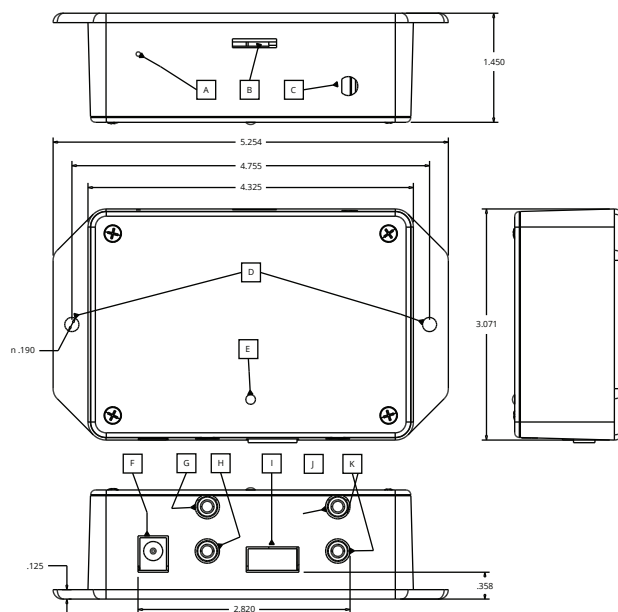
| | |
|--------|---------------------------------|
| 101210 | SMART IoT Meter - WiFi |
| 101211 | SMART IoT Meter - Cell (4G LTE) |
| 101209 | SMART IoT Meter - 900 MHz |

Sonicu Digital Sensors

| | |
|--------|---|
| 100234 | Glycol Digital Snap, -55 C to +25 C |
| 100180 | Air Digital Snap, -55 C to +125 C |
| 101212 | Humidity and Temperature Digital, -30 C to +50 C 0% RH to 100% RH |
| 100260 | ULT Digital 4" Stainless Sheath, -100 C to 0 C |
| 100261 | Cryogenic Digital 15.5" Stainless, -205 C to -105 C |

Accessory Parts

| | |
|--------|----------------------------|
| 100040 | Power Wall Adapter: 12V DC |
| 100274 | Flat 6-foot cable |
| 100280 | Flat 15-foot cable |
| 100281 | Flat 25-foot cable |



Any Department. **Any** Application. **One** Choice.