



MVP GATEWAY

The Sonicu MVP Gateway is a reliable, digital network transmission device for virtually any monitoring application that links multiple meters and sensors into a cohesive, secure monitoring platform.

SONICU SOLUTION

Sonicu's MVP Gateway seamlessly meshes multiple monitoring meters and sensors into one cohesive monitoring system via 4G LTE cellular or Ethernet transmission for consistent, fail-safe data delivery to Sonicu's cloud-based software platform.

In addition to Sonicu's standard suite of temperature, air pressure differential, humidity, sound and room conditions monitoring hardware, the MVP Gateway, in conjunction with the Sonicu Universal IoT Meter, links with virtually all commercially available remote sensors to effortlessly consolidate and manage monitoring applications.

The MVP Gateway provides ultimate ease, adaptability and scalability for data acquisition and transmission to any cloud-based monitoring software.

Wireless data delivery capability means no hardwiring to existing IT systems or expensive, time-consuming construction projects or retrofits.

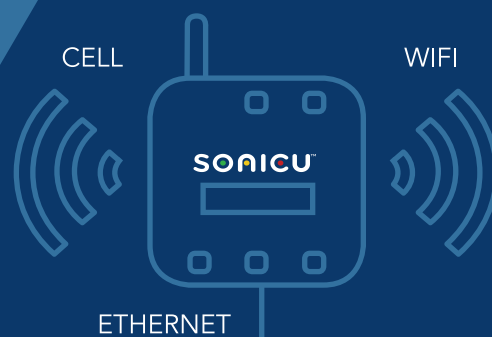
Data integrity and transmission reliability are enhanced with features such as Ethernet-to-cellular failover, battery backup and onboard storage to ensure all data is preserved and transmitted in the event of power outage or other interruption.

OUR ADVANTAGES

- Battery backup ensures uninterrupted, continuous operation in the event of power outage or other disruption.
- DataSync onboard storage eliminates data loss from power outage or interruption; stored data is preserved and automatically transmitted immediately upon device reactivation.
- Ethernet-to-cellular failover option safeguards against data carriage disruption by automatically connecting to cellular network in the event of Ethernet crash.
- Over-the-air firmware updates, enhancements and new features initiated by Sonicu directly to active gateways.
- Flexible topology for sensor-to cloud data transmission meets your specific data transmission needs and conforms to your data delivery criteria.
- Device connectivity reports ensure all data packets are being transmitted.

APPLICATIONS & INDUSTRIES

The MVP Gateway is an integral component of Sonicu temperature, air pressure differential, humidity, sound & room conditions monitoring solutions and adapts to virtually all monitoring applications for Industrial/ Manufacturing, Building automation, Healthcare, Research/Laboratories and Food Service.



Sonicu provides access, alarming and archiving 24/7/365 via any internet-enabled device.

Features

MVP GATEWAY

Part Numbers

Description

Specifications

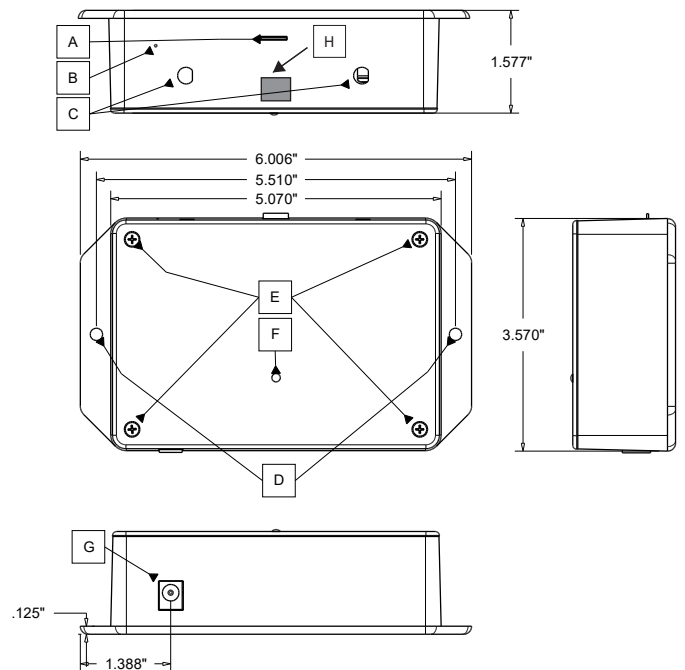
Construction	ABS plastic housing
Dimensions	5.1" x 3.57" x 1.573"
Radio Protocols	4G LTE Cellular, Ethernet, 900 MHz (meshing)
Power Modes	12v DC wall adapter power supply w/battery backup
Enterprise Security	Cellular: standard encryption to tower, virtual private network to cloud, completely secure
Sensor Load	The MVP Gateway has been load tested with over 100 sensors accessing the gateway simultaneously
Operating Temp	-10 °C to +40 °C
Humidity	10 to 95% RH, non-condensing
Mounting	Adhesive or screw mount
Warranty	Warrantied for duration of SoniCloud Subscription Agreement

Network Topology

101229	Cell (900)
101230	Ethernet (900)
101272	Ethernet (900) Cell Failover

Accessory Parts

100256	Omnidirectional outdoor antenna
100040	Power wall adapter: 12V DC
100252	12' power adapter extension



Any Department. **Any** Application. **One** Choice.

KEY

A	SIM card	E	Cover screws
B	Reset	F	Visual Indicator
C	Antenna jacks	G	12VDC input
D	Mounting holes	H	Ethernet jack